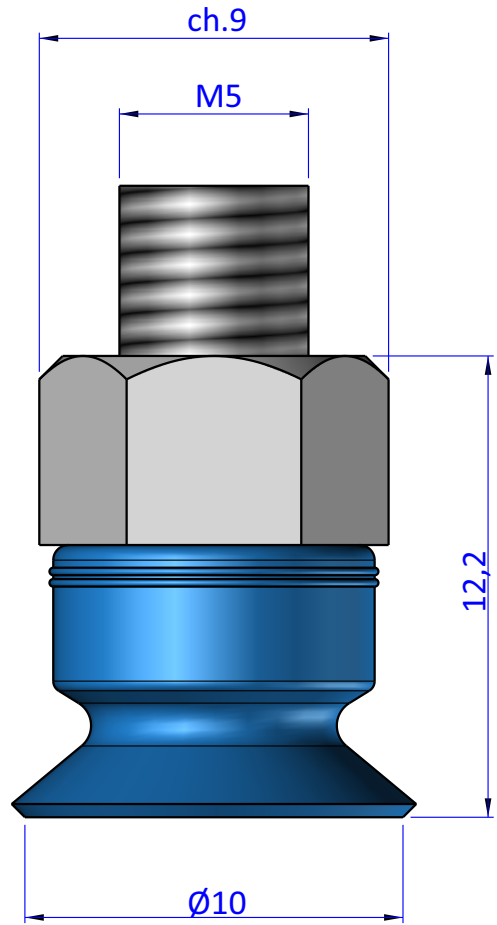
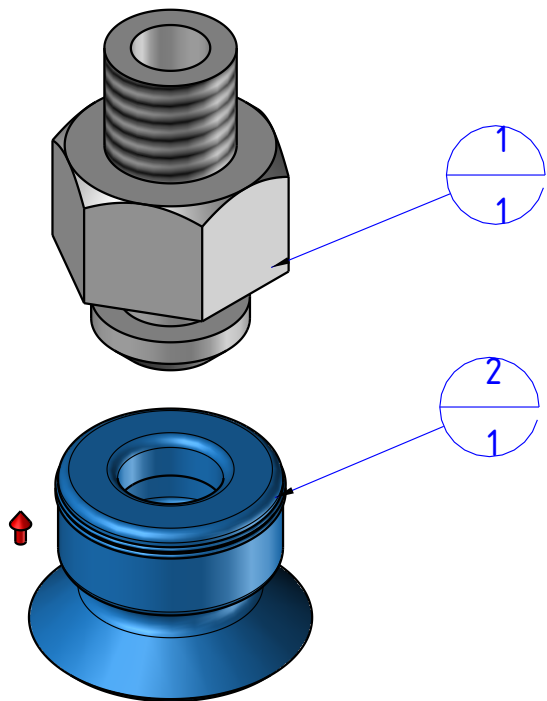


THE PROPERTY OF THE DRAWING IS ESTABLISHED BY LAW. IT IS FORBIDDEN TO PRODUCE OR SHOW IT TO THIRD PART. WITHOUT A WRITTEN AGREEMENT.

Item	Name	Q.ty
1	CA.08.09.014	1
2	CA.08.29.004	1



DESIGNED FROM <b>FPS Automation</b>		REVIEW <b>A</b>
DATE <b>07/01/2021</b>	WEIGHT <b>0,001kg</b>	
CODE <b>KIT.08.29.D10</b>		

Format **A4**

**UNI 936-76**

GENERAL TOLERANCE

UNI - ISO 2768

CLASSE f

DESCRIPTION

**KIT.08.29.D10**